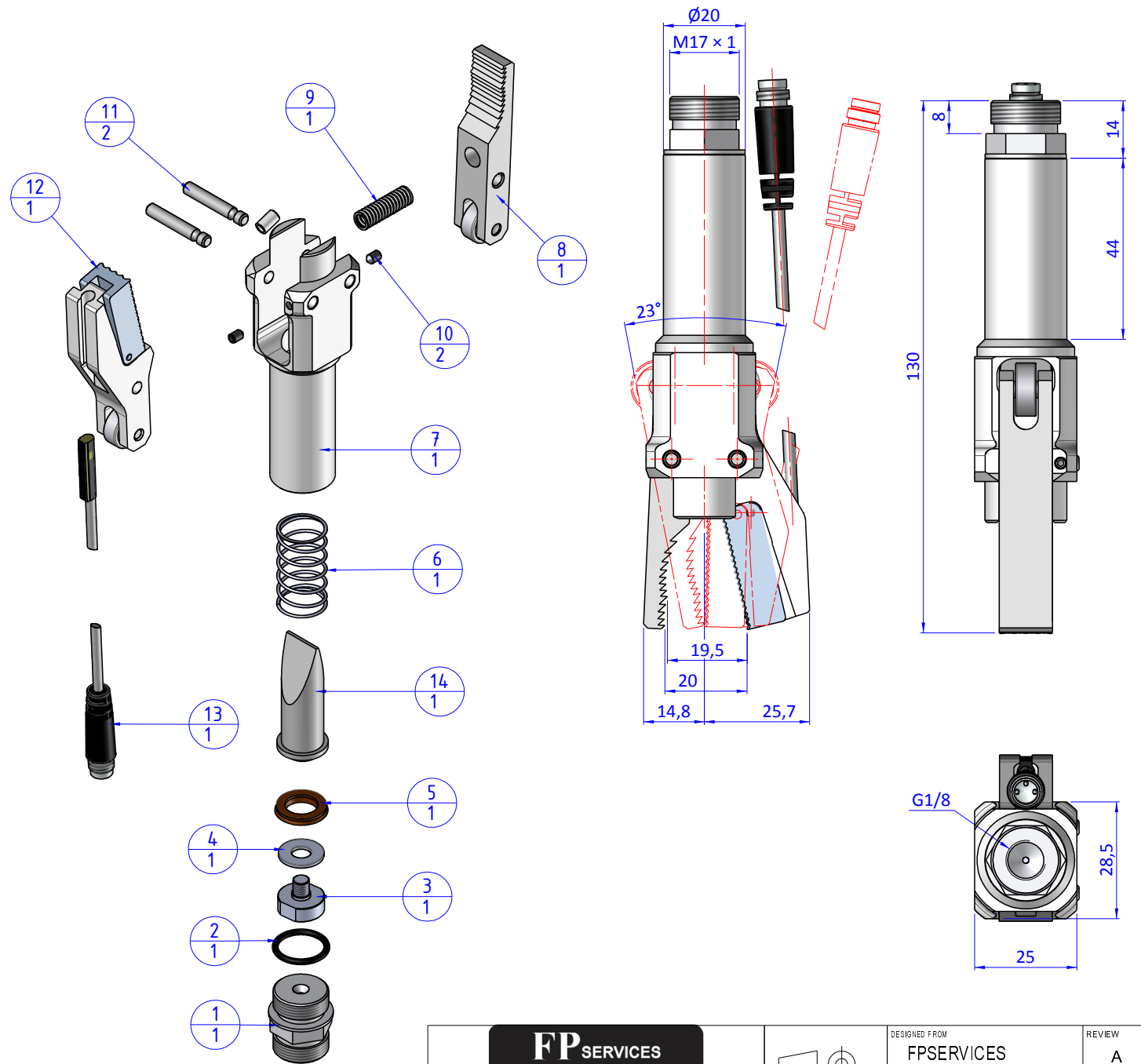


THE PROPERTY OF THE DRAWING IS ESTABLISHED BY LAW. IT IS FORBIDDEN TO PRODUCE OR SHOW IT TO THIRD PARTY WITHOUT A WRITTEN AGREEMENT.

Item	Name	QTY
1	GRF20.95.01	1
2	OR.2056	1
3	GRF20.95.03.2	1
4	GRF20.95.10	1
5	PSP.1610255	1
6	M.GRF.2095.1	1
7	PAC.2016.1	1
8	DD.20.16E.02	1
9	M.6X35	1
10	V.STM3X5	2
11	PAC.2016.5	2
12	DD.20.16M.02	1
13	KT58PM8	1
14	DD.20.02	1



Format A3

UNI 936-76

		DESIGNED FROM	REVIEW
		FP SERVICES	A
GENERAL TOLERANCE	DESCRIPTION	DATE	WEIGHT
UNI - ISO 2768	CA.PAC20.16A	08/03/2019	0,157kg
CLASSE F		CODE	CA.PAC20.16W